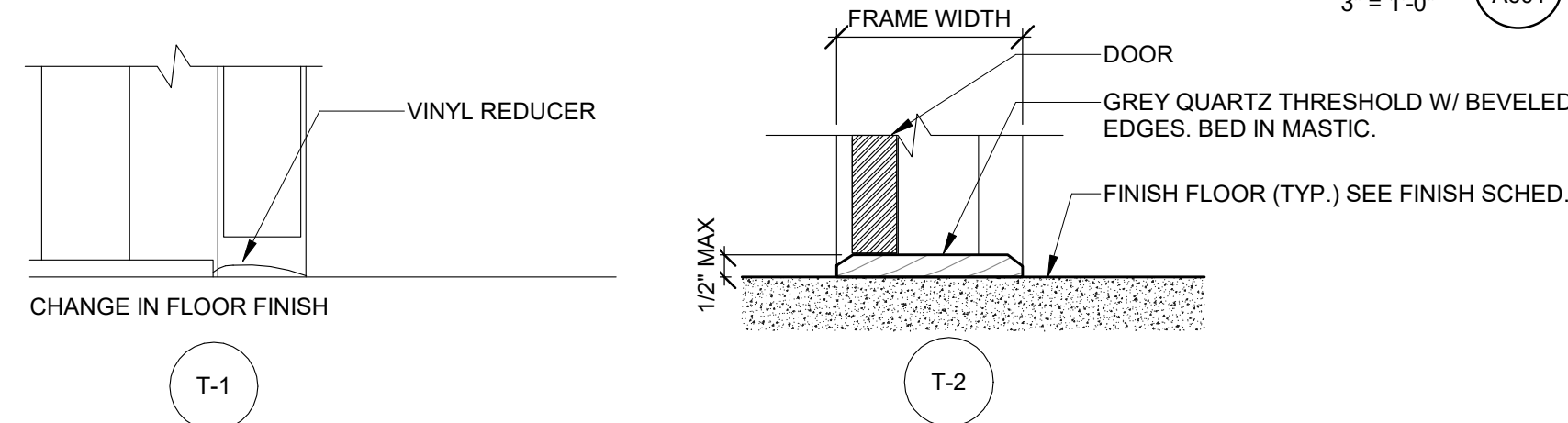


- NOTES:
1. PROVIDE MATCHING BACK PANEL AT GLASS OFFICE PARTITIONS.
  2. SIGNAGE PROVIDED BY ENTERPRISE BANK AND TRUST

**SIGNAGE**

3" = 1'-0" A601



**THRESHOLD DETAILS**

1/2" = 1'-0" A601

**DOOR AND FRAME SCHEDULE**

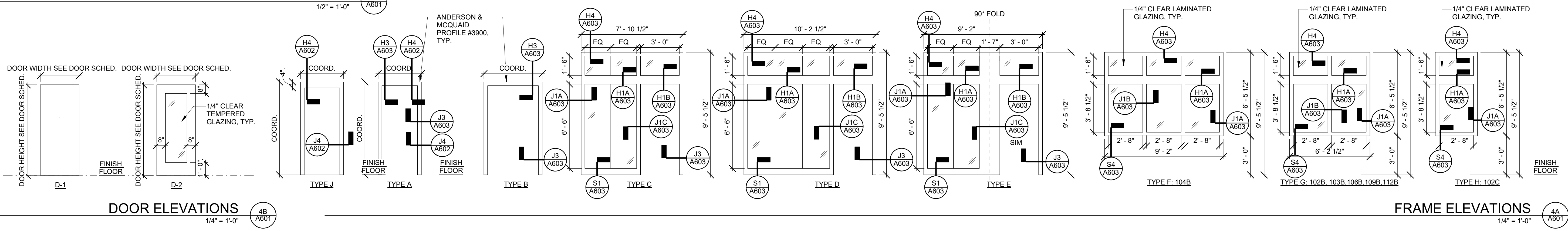
DOOR MARK	ROOM NAME	SIZE		DOOR		DOOR ELEVATION	FRAME			SIGNAGE					
		WIDTH	HT.	DOOR MATERIAL	DOOR TYPE		FRAME MATERIAL	FRAME ELEVATION	HEAD	JAMB	SILL	HARDWARE	NOTES	TYPE	TEXT
101A	VESTIBULE	6'-0"	7'-0"	ALUM./GLASS	STOREFRONT GLASS	D-2	ALUM.	1D/A601	AS NOTED	AS NOTED	AS NOTED	TYPE 1	(2) 3'-0" DOORS / FRAME WHITE	-	-
101B	VESTIBULE	6'-0"	7'-0"	ALUM./GLASS	STOREFRONT GLASS	D-2	ALUM.	1E/A601	AS NOTED	AS NOTED	AS NOTED	TYPE 7	(2) 3'-0" DOORS / FRAME WHITE	-	-
102A	MANAGER OFFICE	3'-0"	7'-0"	SOLID CORE WOOD	FLUSH/FULL GLASS	D-2	WOOD	TYPE E	AS NOTED	AS NOTED	AS NOTED	TYPE 2	-	A	OFFICE
103A	FLEX	3'-0"	7'-0"	SOLID CORE WOOD	FLUSH/FULL GLASS	D-2	WOOD	TYPE E	AS NOTED	AS NOTED	AS NOTED	TYPE 2	-	A	OFFICE
104A	MANAGER OFFICE	3'-0"	7'-0"	SOLID CORE WOOD	FLUSH/FULL GLASS	D-2	WOOD	TYPE C	AS NOTED	AS NOTED	AS NOTED	TYPE 2	-	A	OFFICE
105A	SALES OFFICE	3'-0"	7'-0"	SOLID CORE WOOD	FLUSH/FULL GLASS	D-2	WOOD	TYPE C	AS NOTED	AS NOTED	AS NOTED	TYPE 2	-	A	OFFICE
106A	TELLER OFFICE	3'-0"	7'-0"	SOLID CORE WOOD	FLUSH/FULL GLASS	D-2	WOOD	TYPE C	AS NOTED	AS NOTED	AS NOTED	TYPE 2	-	A	OFFICE
107A	CASH	3'-0"	7'-0"	SOLID CORE WOOD	FLUSH	D-1	WOOD	TYPE A	H3/603	33/603	-	TYPE 3	ACCESS CONTROLS	B	CASH
109A	TELLER OFFICE	3'-0"	7'-0"	SOLID CORE WOOD	FLUSH/FULL GLASS	D-2	WOOD	TYPE C	AS NOTED	AS NOTED	AS NOTED	TYPE 2	-	A	OFFICE
110A	ATM	3'-0"	7'-0"	SOLID CORE WOOD	FLUSH	D-1	WOOD	TYPE A	H3/603	33/603	-	TYPE 3	ACCESS CONTROLS	B	ATM
112A	COMM LENDER	3'-0"	7'-0"	SOLID CORE WOOD	FLUSH/FULL GLASS	D-2	WOOD	TYPE C	AS NOTED	AS NOTED	AS NOTED	TYPE 2	-	A	OFFICE
113A	DATA	6'-0"	7'-0"	SOLID CORE WOOD	FLUSH	D-1	WOOD	TYPE B	H3/603	33/603	-	TYPE 3	(2) 3'-0" DOORS / ACCESS CONTROLS	B	DATA
114A	WOMENS	3'-0"	7'-0"	SOLID CORE WOOD	FLUSH	D-1	WOOD	TYPE A	H3/603	33/603	T-2	TYPE 5	-	D	WOMEN
115A	MENS	3'-0"	7'-0"	SOLID CORE WOOD	FLUSH	D-1	WOOD	TYPE A	H3/603	33/603	T-2	TYPE 5	-	C	MEN
116A	MECH/ELEC	3'-0"	7'-0"	SOLID CORE WOOD	FLUSH	D-1	WOOD	TYPE A	H3/603	33/603	-	TYPE 6	-	B	MECH/ELEC
117A	CONFERENCE	3'-0"	7'-0"	SOLID CORE WOOD	FLUSH/FULL GLASS	D-2	WOOD	TYPE D	AS NOTED	AS NOTED	AS NOTED	TYPE 2	-	B	CONFERENCE
118A	BREAK	3'-0"	7'-0"	SOLID CORE WOOD	FLUSH	D-1	WOOD	TYPE A	H3/603	33/603	-	TYPE 3	ACCESS CONTROLS	B	BREAK
119A	STORAGE	3'-0"	7'-0"	SOLID CORE WOOD	FLUSH	D-1	WOOD	TYPE A	H3/603	33/603	-	TYPE 2	-	-	-
120A	COAT	2'-0"	7'-0"	SOLID CORE WOOD	FLUSH	D-1	WOOD	TYPE A	H3/603	33/603	-	TYPE 2	-	-	-
121A	COUPON	3'-0"	7'-0"	SOLID CORE WOOD	FLUSH	D-1	WOOD	TYPE A	H3/603	33/603	-	TYPE 4	-	-	-
122A	SAFE	3'-0"	7'-0"	SOLID CORE WOOD	FLUSH/FULL GLASS	D-2	WOOD	TYPE A	H3/603	33/603	-	TYPE 3	ACCESS CONTROLS	B	SAFE
123A	CORRIDOR	3'-0"	7'-0"	INSULATED STEEL	FLUSH	D-1	HM	TYPE J	H4/A602	J4/A602	-	TYPE 8	-	-	-
125A	MOP	5'-0"	7'-0"	SOLID CORE WOOD	FLUSH	D-1	WOOD	TYPE B	H3/603	33/603	-	TYPE 6	(2) 2'-6" DOORS	B	MOP
126A	STORAGE	3'-0"	7'-0"	SOLID CORE WOOD	FLUSH	D-1	WOOD	TYPE A	H3/603	33/603	-	TYPE 2	-	-	-

**HARDWARE TYPES**

- TYPE 1: (VESTIBULE) ENTRY HINGES, CONT. ROTON HINGE, SEALS, LATCH SET CLOSER (HEAVY DUTY PARALLEL ARM), ALUM. THRESHOLD, THERMALLY BROKEN
- TYPE 2: (OFFICE) PASSAGE LATCH SET HINGES, 3 PER LEAF, BALL-BEARING, HEAVY DUTY
- TYPE 3: (ACCESS CONTROLS) HINGES, 3 PER LEAF, BALL-BEARING, HEAVY DUTY AUTOMATIC CLOSER, PARALLEL ARM ACCESS CONTROLS STOREROOM LOCKSET
- TYPE 4: (COUPON) PRIVACY LOCKSET HINGES, 3 PER LEAF, BALL-BEARING, HEAVY DUTY
- TYPE 5: (RESTROOM) HINGES, 3 PER LEAF, BALL-BEARING HEAVY DUTY BUMPERS, STRIKES, AND LEVER HANDLES
- TYPE 6: HINGES, 3 PER LEAF, BALL-BEARING, HEAVY DUTY AUTOMATIC CLOSER, STOREROOM LOCKSET
- TYPE 7: HINGES, CONT. ROTON HINGE, PUSH/PULL CLOSER, PARALLEL ARM, SEALS
- TYPE 8: (EXIT) HINGES, 3 PER LEAF, ENTRY LATCH SET, AUTOMATIC CLOSER, ALUMINUM THRESHOLD, SEALS

**NOTES**

1. ALL WOOD DOORS TO BE 13/4" THICK, UNLESS NOTED OTHERWISE.
2. WOOD DOORS TO BE ROTARY CUT BIRCH VENEER W/ FACTORY APPLIED WARM CHERRY STAIN
3. HANDLES, PULLS, LATCHES, LOCKS, & OTHER OPERATING DEVICES SHALL BE INSTALLED BETWEEN 34 AND 48 INCHES ABOVE FINISH FLOOR.
4. ALL DOOR HARDWARE PACKAGES TO BE COORDINATED BY A CERTIFIED DOOR HARDWARE CONSULTANT AND SUPPLIED BY A SOLE SOURCE VENDOR.
5. PROVIDE WALL BUMPERS AT ALL LOCATIONS WHERE DOOR AND/OR HARDWARE MAY HIT A PERPENDICULAR PARTITION.
6. PROVIDE STONE THRESHOLD AT ALL DOORS ADJACENT TO FLOOR TILE.
7. THRESHOLDS TO BE FULL WIDTH OF FRAME, 1 PIECE.
8. ALL HARDWARE SETS TO INCLUDE BUMPERS, STRIKES, AND LEVER HANDLES
9. ALL DOOR HARDWARE TO BE SUPPLIED IN OIL-RUBBED BRONZE.
10. REFER TO A603 FOR DOOR & FRAME DETAILS



**DOOR ELEVATIONS**

1/4" = 1'-0" A601

**FRAME ELEVATIONS**

1/4" = 1'-0" A601

**WINDOW SCHEDULE**

MARK	SIZE (R.O.)	TYPE / NOTES
A/A1	3'-4 1/2" x 4'-9 1/2" W/ 3'-4 1/2" x 1'-2 1/2" TRANSOM	ANDERSEN E SERIES DOUBLE-HUNG- DHG 3449 W/ ANDERSEN E SERIES DOUBLE-HUNG TRANSOM: DHT 3412 W/ TALON T7 FIXED - FIXED SASH ACCESS AT EACH WINDOW A1 W/ SPANDREL GLASS WITH BACK UP WALL
B	3'-0 1/2" x 3'-4 1/2"	E SERIES CASEMENT CMT 3039
F	3'-4 1/2" x 5'-6 1/2" W/ 3'-4 1/2" x 1'-2 1/2" TRANSOM	ANDERSEN E SERIES DOUBLE-HUNG- DHG 3456 W/ ANDERSEN E SERIES DOUBLE-HUNG TRANSOM: DHT 3412 W/ TALON T7 FIXED - FIXED SASH ACCESS AT EACH WINDOW

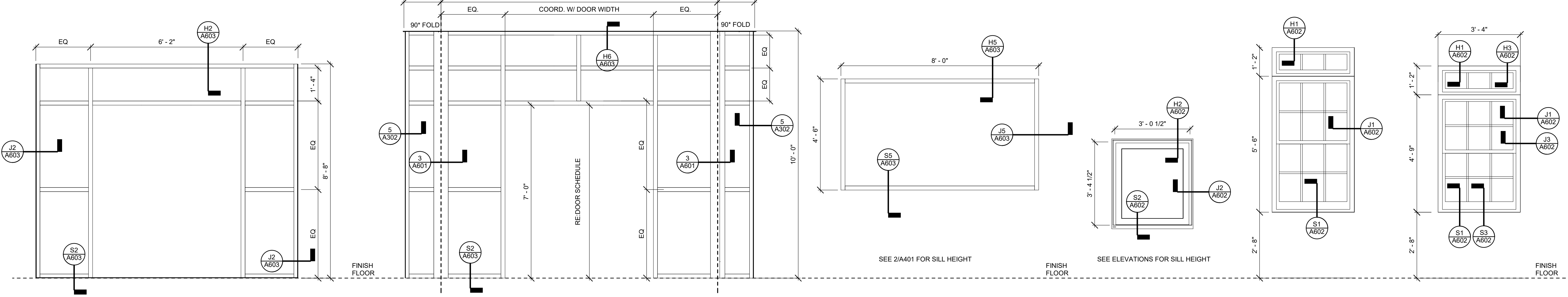
- NOTE:
1. ALL DIMENSIONS ARE "ROUGH" DIMENSIONS. G.C. TO COORDINATE ACTUAL FRAME DIMENSIONS.
  2. REFER TO SPECIFICATIONS FOR GLAZING TYPE AND ASSEMBLY
  3. ALIGN STOREFRONT MULLIONS VERTICALLY AND HORIZONTALLY WITH ADJACENT STOREFRONT SYSTEM MULLIONS.
  4. WINDOW TYPE A1: SPANDREL GLASS WITH BACK UP WALL

**PLAN DETAIL @ CORNER MULLION**

3" = 1'-0" A601

**CUSTOM BASE DETAIL**

3" = 1'-0" A601



**STOREFRONT TYPE E**

1/2" = 1'-0" A601

**STOREFRONT TYPE D**

1/2" = 1'-0" A601

**STOREFRONT TYPE C**

1/2" = 1'-0" A601

**WINDOW TYPE B**

1/2" = 1'-0" A601

**WINDOW TYPE F**

1/2" = 1'-0" A601

**WINDOW TYPE A / A1**

1/2" = 1'-0" A601



ROBERT WILLIAM HANNON ARCHITECT  
244 N. BRADWAY, UNIT 205  
SALEM, NH 03079  
© COPYRIGHT 2021

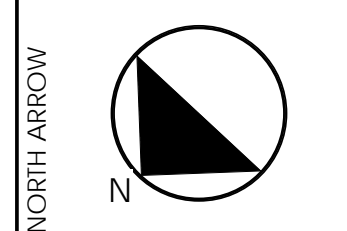
NOT FOR CONSTRUCTION

CONSULTANT

**ENTERPRISE BANK & TRUST**  
12 MICHELS WAY, LONDONDERRY, NH 03053

**DOOR SCHEDULE,  
DOOR, FRAME AND  
WINDOW ELEVATIONS**

SHEET TITLE



No.	REVISIONS

DATE: 05/28/2021  
JOB NO. 20-023  
SHEET NO. A601

6/1/2021 11:46:44 AM